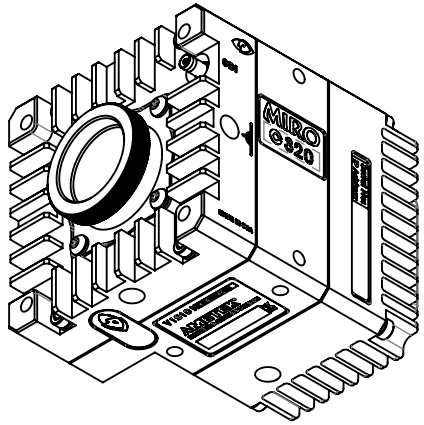
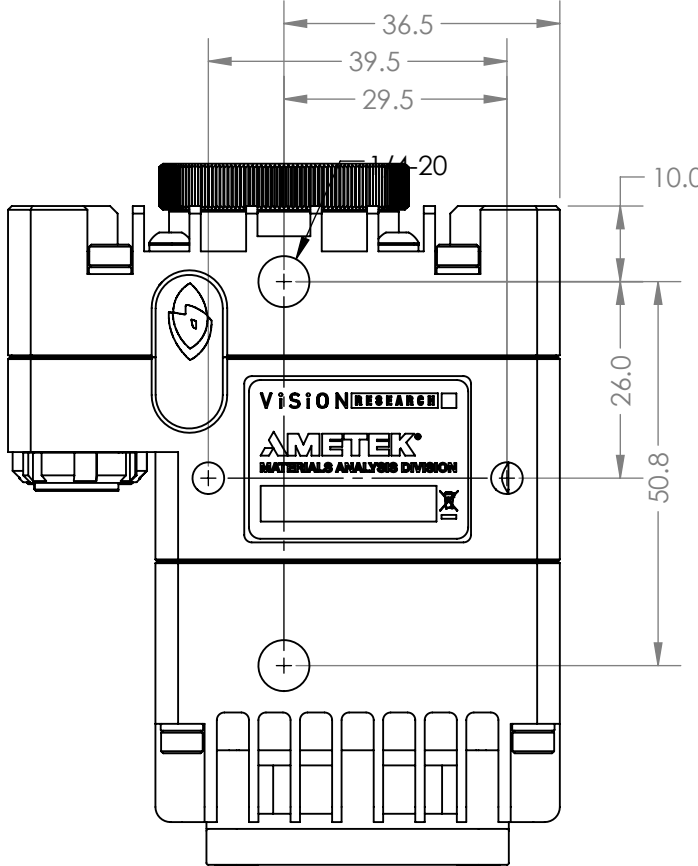
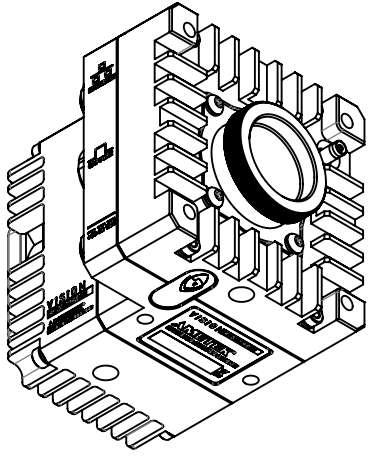
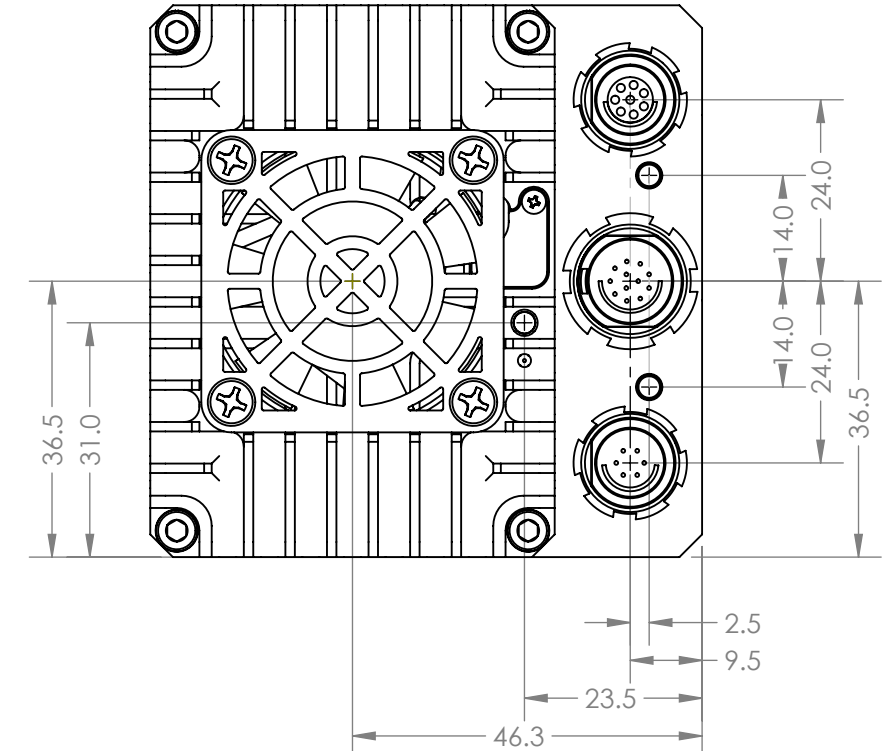
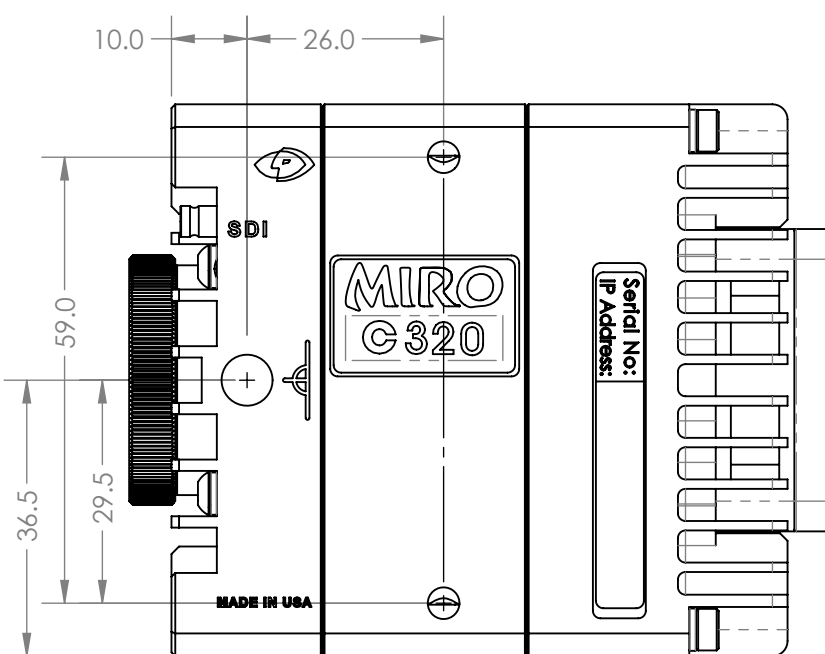
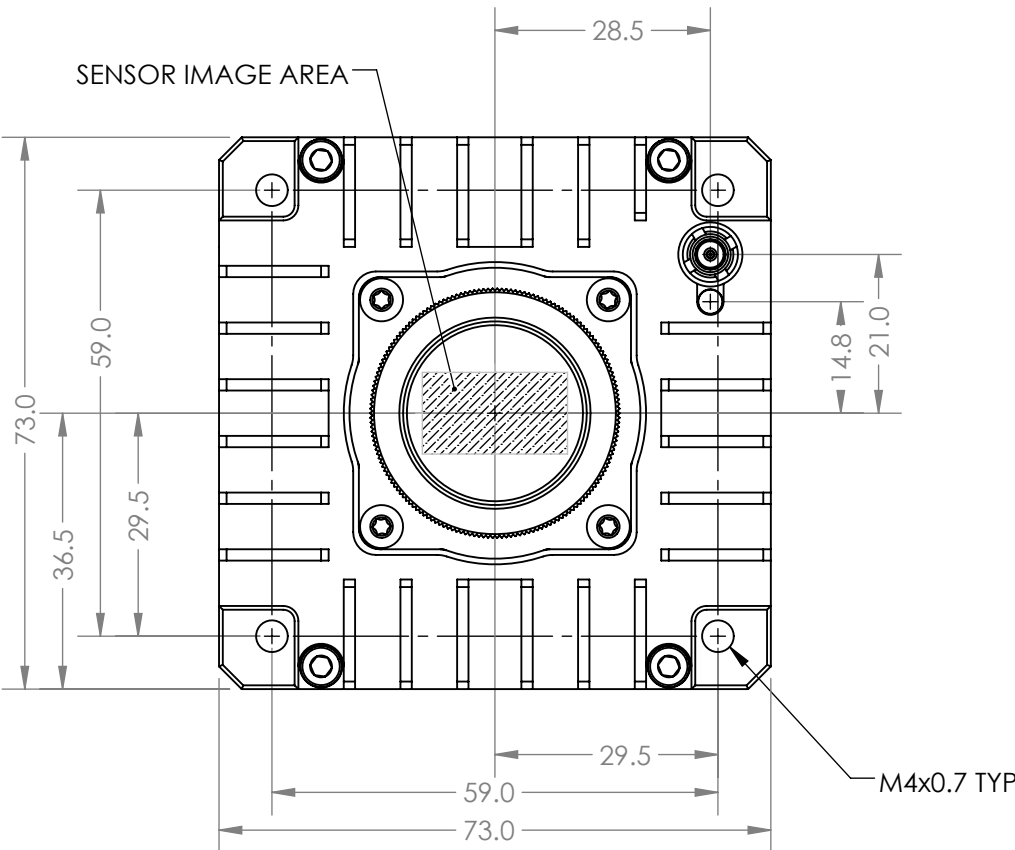
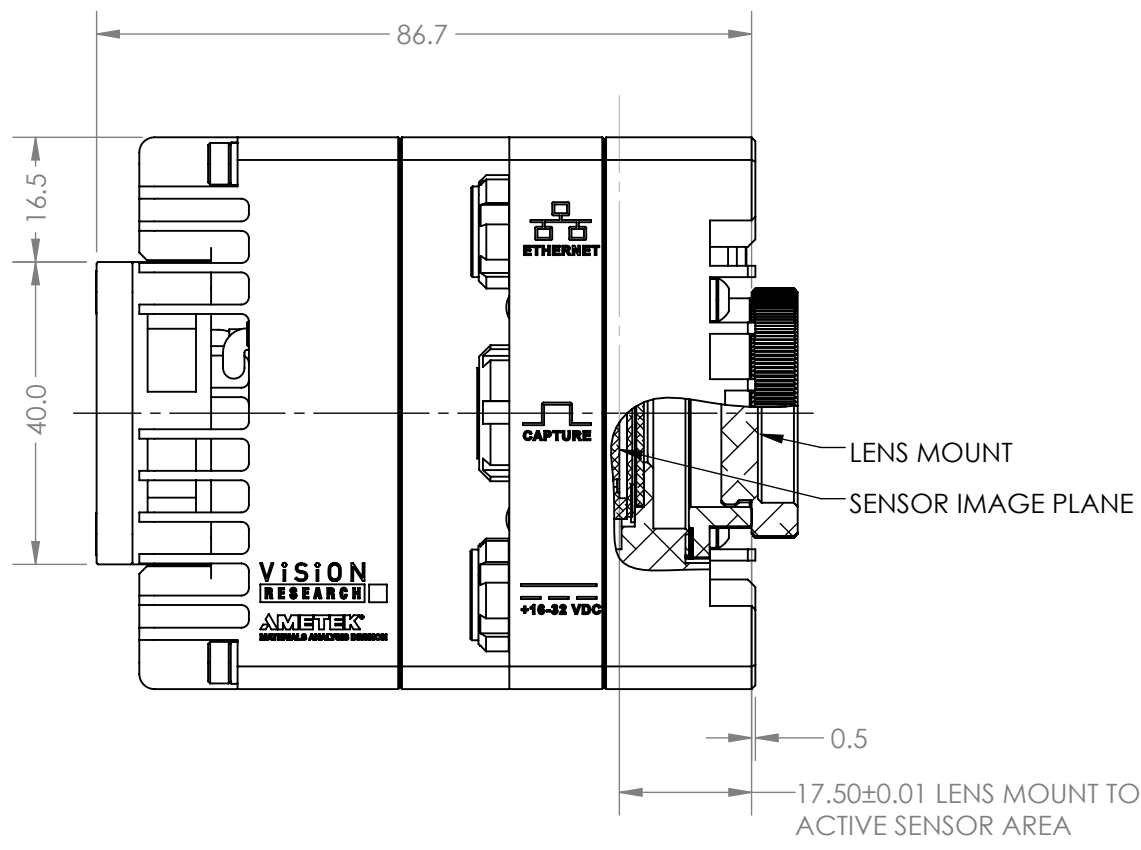
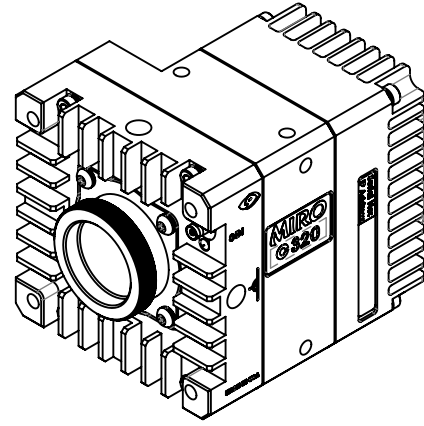
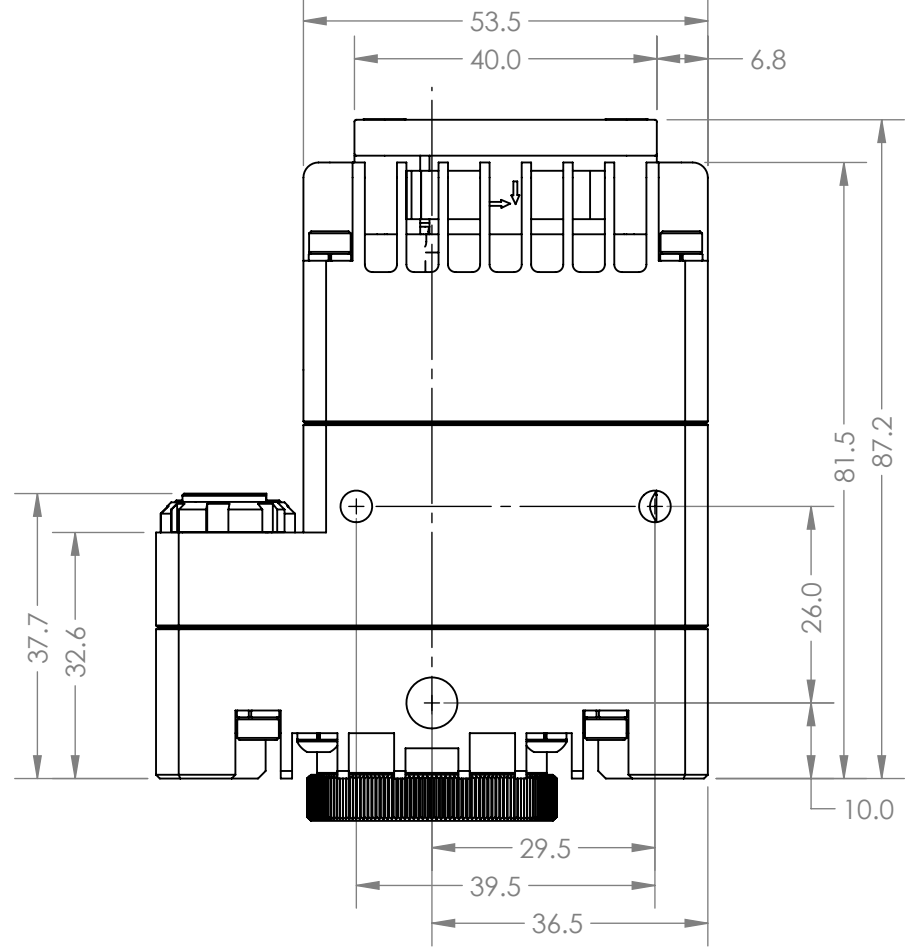
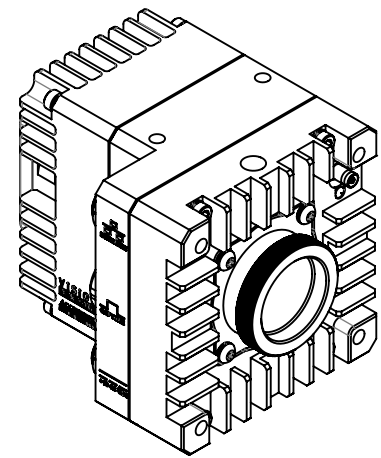


| REVISIONS HISTORY |  |              |          |
|-------------------|--|--------------|----------|
| REV.              | DESCRIPTION                                  | DRN BY       | APP'D BY |
| 0                 | INITIAL RELEASE                              | B.E. 4/2/19  |          |
| 1                 | UPDATED TO REFLECT CHANGE IN SENSOR POSITION | B.E. 5/28/19 |          |



**PROPRIETARY AND CONFIDENTIAL**  
 THE INFORMATION CONTAINED IN THIS DRAWING IS THE SOLE PROPERTY OF VISION RESEARCH. ANY REPRODUCTION IN PART OR AS A WHOLE WITHOUT THE WRITTEN PERMISSION OF VISION RESEARCH IS PROHIBITED.

UNLESS OTHERWISE SPECIFIED:  
 DIMENSIONS ARE IN MM  
 TOLERANCES:  
 FRACTIONAL ±1/64  
 ANGULAR: MACH±0.5  
 ONE PLACE ±0.25  
 TWO PLACE ±0.13

INTERPRET GEOMETRIC TOLERANCING PER:  
 MATERIAL  
 FINISH

DO NOT SCALE DRAWING

|           |      |      |        |
|-----------|------|------|--------|
| NAME      | B.E. | DATE | 4/2/19 |
| DRAWN     |      |      |        |
| CHECKED   |      |      |        |
| ENG APPR. |      |      |        |
| MFG APPR. |      |      |        |
| Q.A.      |      |      |        |

**VISION RESEARCH**  
 100 Dey Road  
 Wayne, New Jersey 07470 USA  
 973-696-4500

TITLE:  
**CUSTOMER DRAWING, C320**

SIZE DWG. NO. REV  
**C** ZDOC-64106-CD-0014 1

SCALE 1:1 SHEET 1 OF 1