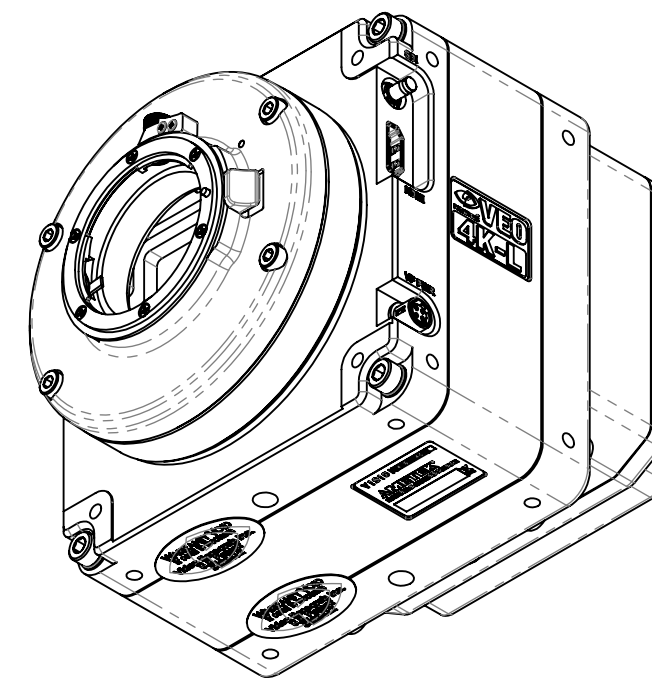
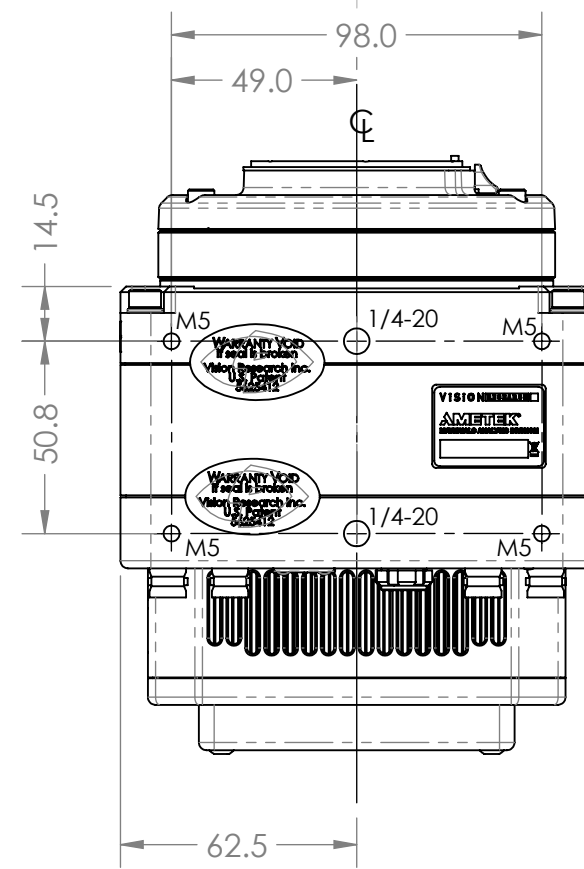
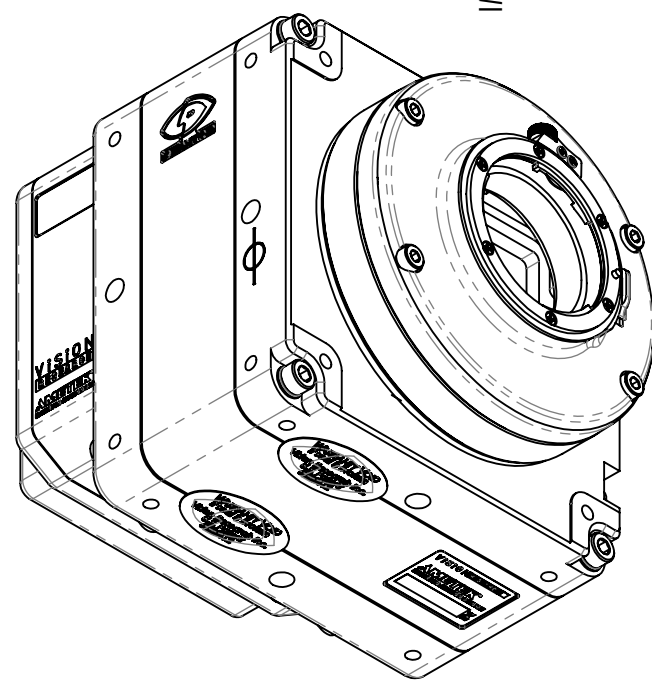
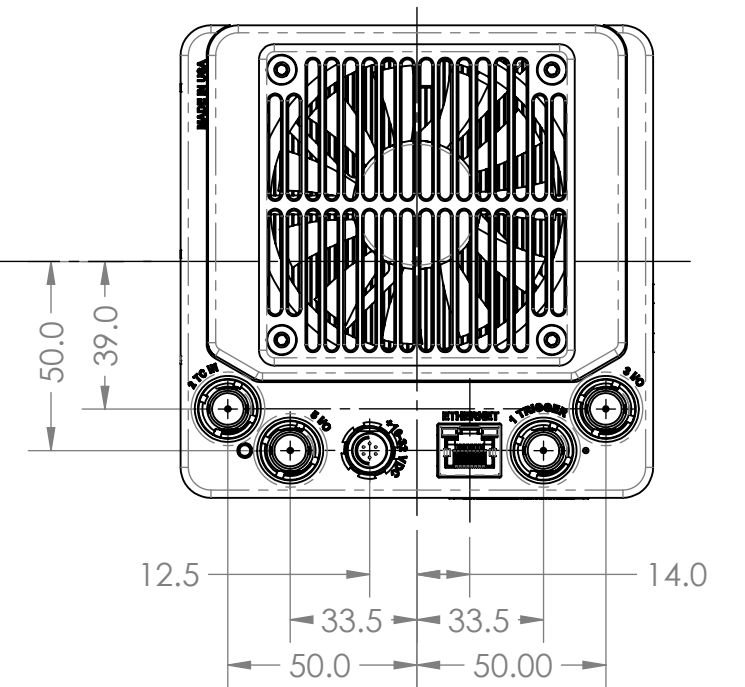
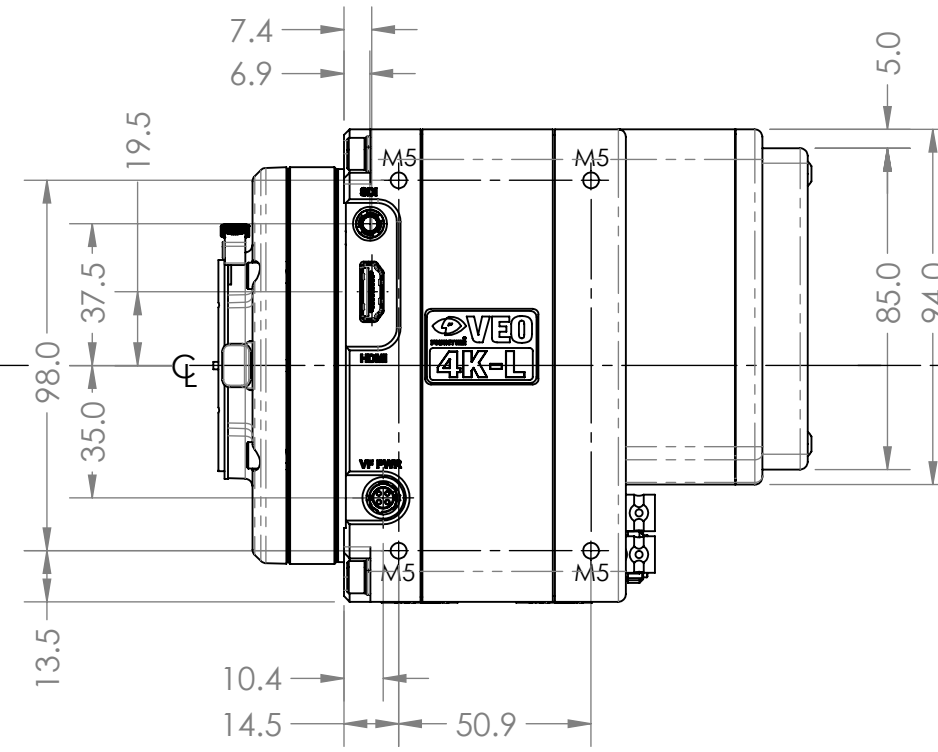
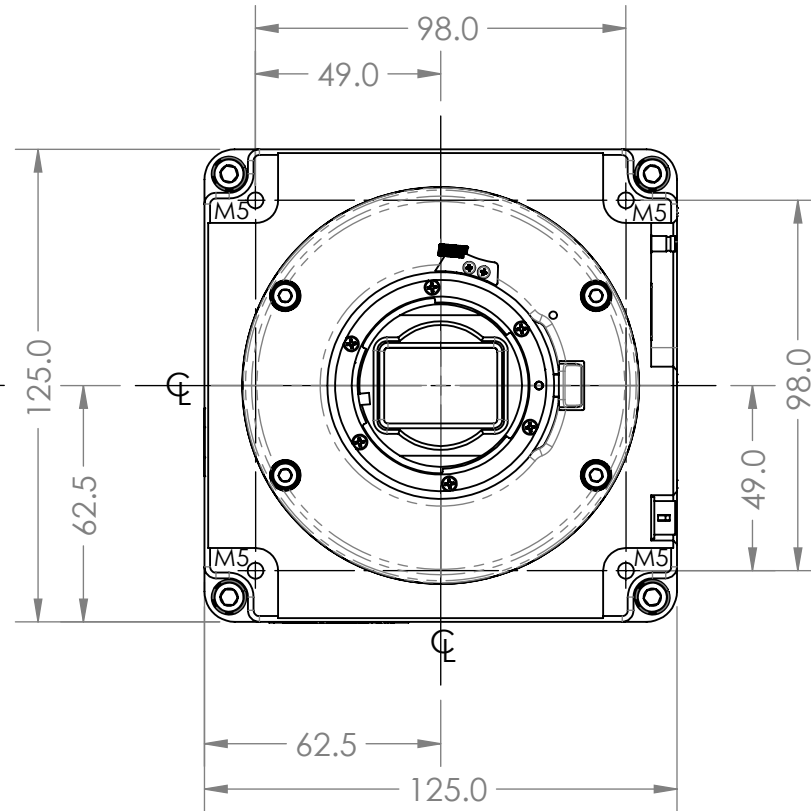
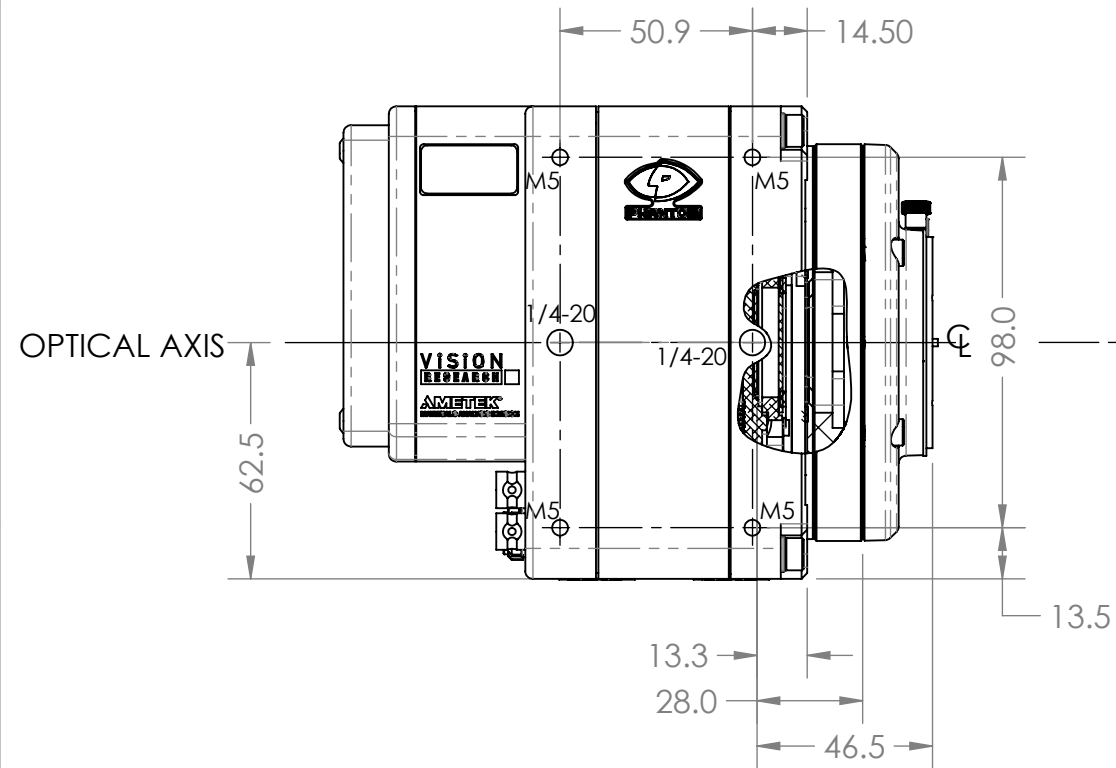
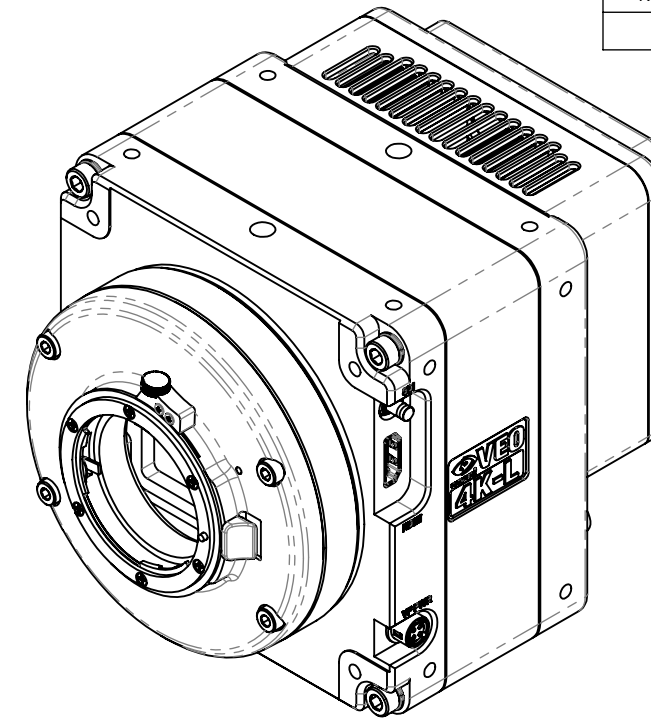
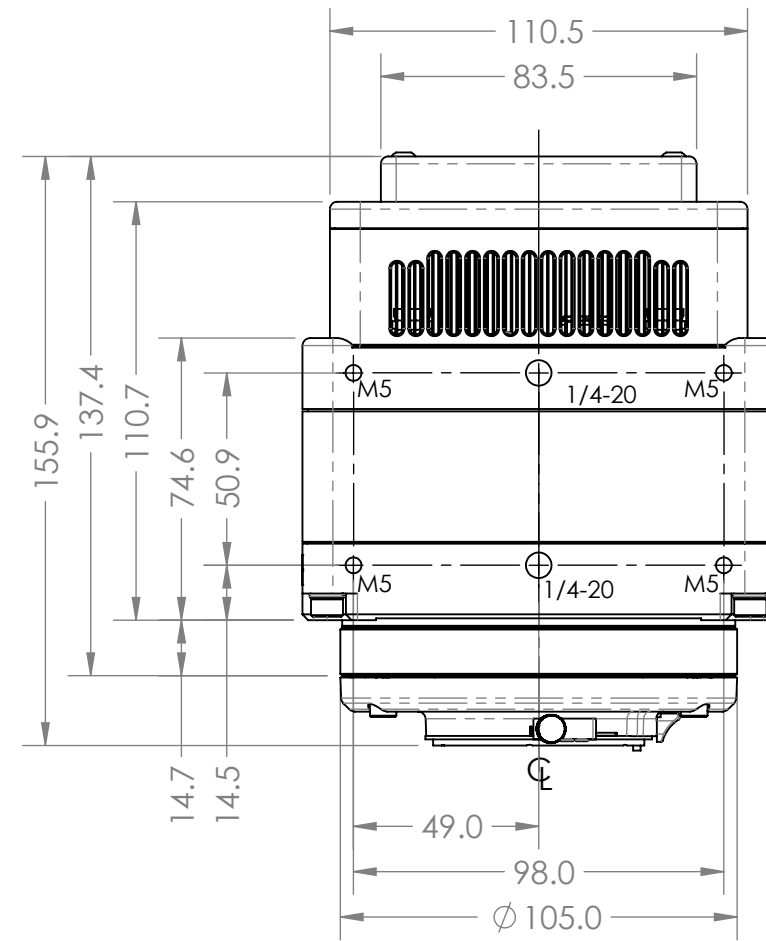
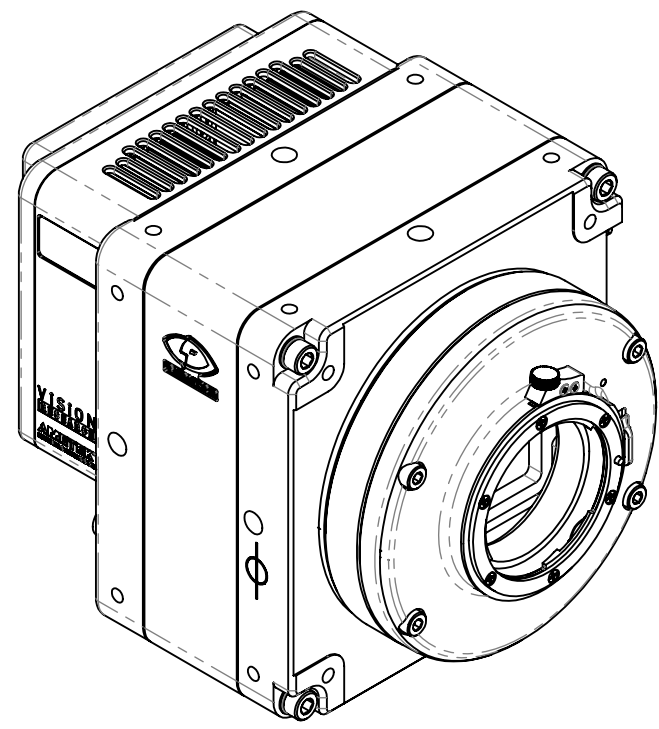


REVISIONS HISTORY			
REV.	DESCRIPTION	DRN BY	APP'D BY
0	INITIAL RELEASE	B.E.	5/10/17



PROPRIETARY AND CONFIDENTIAL
 THE INFORMATION CONTAINED IN THIS DRAWING IS THE SOLE PROPERTY OF VISION RESEARCH. ANY REPRODUCTION IN PART OR AS A WHOLE WITHOUT THE WRITTEN PERMISSION OF VISION RESEARCH IS PROHIBITED.

UNLESS OTHERWISE SPECIFIED:
 DIMENSIONS ARE IN MM
 TOLERANCES:
 FRACTIONAL ±1/64
 ANGULAR: MACH ±0.5
 ONE PLACE ±0.25
 TWO PLACE ±0.13
 INTERPRET GEOMETRIC TOLERANCING PER:
 MATERIAL
 FINISH
 APPLICATION
 DO NOT SCALE DRAWING

NAME	B.E.	DATE	5/10/17
DRAWN			
CHECKED			
ENG APPR.			
MFG APPR.			
Q.A.			

VISION RESEARCH
 100 Dey Road
 Wayne, New Jersey 07470 USA
 973-696-4500
 TITLE:
**CUSTOMER DRAWING,
 VEO 4K-L WITH NIKON MNT**
 SIZE DWG. NO. REV
C ZDOC-64109-CD-0004 **O**
 SCALE 1:2 SHEET 1 OF 1

